

STANLEY

LITHIUM-ION LED BRIGHT BAR™ INSTRUCTION MANUAL



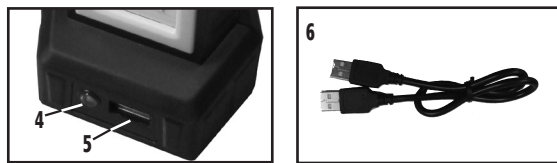
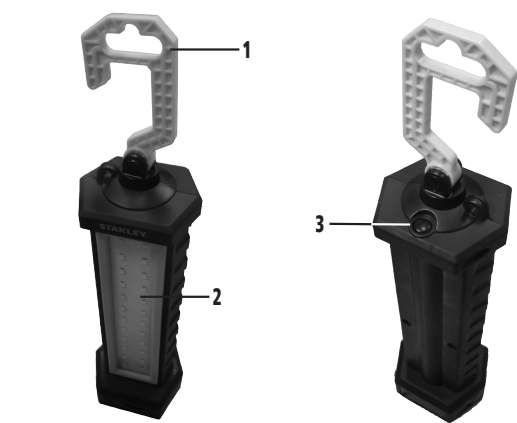
BB24PS

SAVE THESE INSTRUCTIONS

INTRODUCTION

Congratulations on purchasing your new Stanley® Lithium-Ion LED Bright Bar™. Read this Instruction Manual and follow the instructions carefully before using your new light.

FEATURES



1. Hanging hook
2. 24 high intensity LEDs
3. Power/light mode button
4. Battery/charge status LED indicator / translucent USB power button
5. USB port (for use with the USB charging cable and 12 volt DC/USB charging adapter)
6. USB charging cable
7. 12 volt DC/USB charging adapter (optional accessory)
8. 12 volt DC/USB charging adapter LED indicator
9. 12 volt DC/USB charging adapter USB port (optional accessory)
10. Magnetic base

READING THE BATTERY/CHARGE STATUS LED INDICATOR

The battery/charge status LED indicator is located inside the translucent USB Power Button. It lights or flashes in two colors to indicate the following:

When charging:

Blue: Battery is in a fully charged state.

Blue (flashing): Battery is in a partially charged state.

Red (flashing): Battery needs to be recharged.

Red (flashing rapidly): The battery of the unit is overheated due to extensive use or recharging. The charging process will stop at this stage and will automatically resume after a cool down period.

When operating the USB port (once the translucent USB power button has been pressed):

Blue: Battery is operating at full voltage.

Red: Battery is operating at partial voltage.

Red (flashing rapidly):

- Battery is operating at extremely low voltage. The built-in low voltage protection has activated and the unit will automatically shut down. The unit must be recharged immediately. **OR**
- The battery of the unit is overheated (due to extensive use or recharging), or is too cold (the ambient temperature has dropped below -20°C). Operation will stop at this stage.

CHARGING/RECHARGING THE LIGHT

This unit is shipped in a partially charged state. Charge unit after purchase and BEFORE first use until the battery/charge status LED indicator lights blue.

Recharge after each use until the charge status LED indicator lights blue.

IMPORTANT: When the unit is not in use, we recommend that the battery is charged at least every 3 to 6 months.

CAUTION: TO REDUCE THE RISK OF INJURY OR PROPERTY DAMAGE:

- Never place the light face down on any surface when charging.
- Make sure the light is turned OFF during recharging, as operating the light can slow the recharging process.
- Failure to keep the battery charged will cause permanent damage and result in poor performance.

Charging/recharging using the USB charging cable and a device with a USB power port (not supplied)

1. Make sure the power mode button and the translucent USB power button are both turned off* (the light is not lit and the translucent USB power indicator/power button is not lit).
* The translucent button does not operate the light, only the USB power port.
2. Insert the USB charging cable into the USB port on the light.
3. Insert the other end of the USB charging cable into a device's functional USB power port. The battery/charge status LED indicator will light or flash in one of two colors (as described in the "Reading the Battery/Charge Status LED Indicator" section) to indicate the charging status.
4. Charge until the battery/charge status LED indicator lights blue.
5. When charging is complete, disconnect the USB charging cable from the device's USB power port and the light. Store the cable in a safe place.

Charging/recharging using the 12 Volt DC/USB Charging Adapter

1. Make sure the power mode button and the translucent USB power button are both turned off* (the light is not lit and the translucent USB power indicator/power button is not lit).
* The translucent button does not operate the light, only the USB power port.
2. Insert the USB charging cable into the USB port on the light.
3. Insert the other end of the USB charging cable into the 12 volt DC/USB charging adapter.
4. Insert the 12 volt DC/USB charging adapter into the 12 volt DC accessory outlet of a vehicle or other functioning 12 volt DC power source. The LED indicator on the 12 volt DC/USB charging adapter will light green when it is properly plugged into the 12 volt DC power source. The battery/charge status LED indicator will light or flash in one of two colors (as described in the "Reading the Battery/Charge Status LED Indicator" section) to indicate the charging status.
Note: Some vehicles require that the ignition be switched to the accessory position in order to power the accessory outlet.
5. Charge until the battery/charge status LED indicator lights blue.
6. When charging is complete, first unplug the 12 volt DC/USB charging adapter from the 12 volt DC power source, then disconnect the USB charging cable from the adapter and the light. Store the adapter and cable in a safe place.

OPERATING THE LIGHT

The power/light mode button turns the light on and off, and is also used to select the light mode.

CAUTION: DO NOT OPERATE WHILE CHARGING.

Notes: The battery/charge status LED indicator will not light during operation of the light.

To check the battery status, make sure the light is turned off, then press on the translucent USB power button. The battery/charge status LED indicator will light or flash in one of two colors (as described in the "Reading the Battery/Charge Status LED Indicator" section) to indicate the internal battery status.

Disconnect the charging cable, then select the light mode as follows:

- High:** To turn the light on and use the light at its high (bright) setting, press the power/light mode button once.
- Low:** To turn the light on and use the light at its low (dimmer) setting, press the power/light mode button a second time.
- Off:** To turn the light off, press the power/light mode button a third time.
- Flash:** To use all the LEDs flashing, press and hold the power/light mode button anytime for about 5 seconds.
To turn the light off in flash mode, press the power/light mode button once.

IMPORTANT - To protect the unit's internal battery from damage and save energy:

- If the translucent USB power button is pressed to turn on the USB Port when the unit is operating in High light mode, the unit will switch automatically to Low light mode.
- If the light's battery voltage is nearly low, the unit will switch automatically to Low light mode even if High light mode has been selected.
- If the light's battery voltage is low, the built-in low voltage protection will activate after a short period of operation, then the unit will automatically shut down. Recharge the battery before continuing use.

Using the Hanging Hook and Magnetic Base

The hanging hook and magnetic base allow you to position the light for convenient, hands-free operation. The hanging hook rotates 360° and tilts backward and forward to direct illumination as needed.

CAUTION - TO REDUCE THE RISK OF PRODUCT DAMAGE:

- When light is hung by the hanging hook or attached using the magnetic base, do not shake the light or object that it is hanging from or attached to. Do not hang the light from or attach the light to any electrical wires or anything that it is not secure.
- Only use the hanging hook for hanging the light. The hanging hook is not intended to support additional weight. Do not attach or hang anything additional to the light or risk of breakage may occur.
- Do not attempt to "force" the hanging hook beyond its maximum angle. The hanging hook was designed to tilt forward and backward only.

OPERATING THE LIGHT'S USB PORT

The light's USB port provides 5 volts/1A of DC power to an external USB powered device.

1. Disconnect the USB charging cable and make sure the light is turned off.
2. Press the translucent USB power button to power on the USB port. The battery/charge status LED indicator will light or flash in one of two colors (as described in the "Reading the Battery/Charge Status LED Indicator" section) to indicate the internal battery status.
3. Simply plug the USB device into the light's USB port and operate normally.
4. Press the translucent USB power button again to turn off the USB port. Make sure the translucent USB power button is in the off position (is not lit) when the unit is being recharged or stored.

IMPORTANT: If the USB port is in use, the light will only operate in Low or Flash light mode.

OPERATING THE 12 VOLT DC/USB CHARGING ADAPTER'S USB PORT

Plug the 12 volt DC/USB charging adapter into a vehicle's 12 volt DC accessory outlet or other functioning 12 volt DC power source. The LED indicator on the 12 volt DC/USB charging adapter will light green to indicate that it is properly connected. Then simply plug the USB device into the USB outlet and operate normally.

Note: Some vehicles require that the ignition be switched to the accessory position in order to power the accessory outlet.

CARE AND MAINTENANCE

All batteries lose energy from self-discharge over time and more rapidly at higher temperatures. When the unit is not in use, we recommend that the battery is charged at least every 3 to 6 months.

If the unit gets dirty, gently clean the outer surfaces of the light unit with a soft cloth moistened with a mild solution of water and detergent.

Except for the fuse in the 12 volt DC/USB charging adapter, there are no user-replaceable parts. Periodically inspect the condition of adapters, connectors and wires. Contact manufacturer to replace any components that have become worn or broken.

Battery replacement/disposal

BATTERY REPLACEMENT

The battery should last the service life of the unit. Service life is dependent on a number of factors including but not limited to the number of recharge cycles, and proper care and maintenance of the battery by the end user. Contact manufacturer for any information you may need.

SAFE BATTERY DISPOSAL

Contains a lithium-ion battery, which must be disposed of properly. Recycling is required. Failure to comply with local, state and federal regulations can result in fines, or imprisonment.

Please recycle.

WARNINGS:

- Do not dispose of the battery in fire as this may result in an explosion.
- Before disposing of the battery, protect exposed terminals with heavy-duty electrical tape to prevent shorting (shorting can result in injury or fire).
- Do not expose battery to fire or intense heat as it may explode.

Fuse replacement in the 12 volt DC/USB charging adapter



1. Unscrew the end cap counterclockwise and remove.
2. Remove center contact and fuse.
3. Check fuse with a continuity checker.
4. If blown, locate a replacement 2 amp fuse.
5. Replace the fuse, center contact and end cap.
6. Screw end cap clockwise until it is finger tight - DO NOT OVER-TIGHTEN.
7. Test for proper operation of the 12 volt DC/USB charging adapter.

TROUBLESHOOTING

The light will not charge

- Check that the light and the USB port are all turned off.
- Check that the USB charging cable is properly connected to the light and the power source. Make sure there is good contact. Make sure the power source is functioning properly.

OR

- Check that the USB charging cable is properly connected to the 12V DC/USB charging adapter and to the light.
- Check the connection to the DC power source. Make sure there is good contact. Confirm that there is functioning DC current.
- Check the plug fuse in the 12V DC/USB charging adapter. Replace the fuse following the instructions in this manual, if necessary.
- The unit may have shut down to protect the battery from overheating after a long period of operation or charging. Unplug the USB charging cable or the 12V DC/USB charging adapter from the power source and from the light. Allow the light to cool down for a period before resuming charging.

The light will not operate

- Make sure the power/light mode button has been pressed to turn the light on.
- Check that the translucent USB power button is turned off.
- The internal battery may be completely discharged. Charge the unit following the directions given in this manual.
- The unit may have shut down to protect the battery from overheating after a long period of operation or charging, or the ambient temperature has dropped below -20°C. Allow the light to cool down or warm up for a period before resuming operation.

The light's USB port will not operate

- Make sure the power/light mode button is turned off.
- Make sure the translucent USB power button is pressed to turn the USB port on.
- Make sure the rating of equipment plugged into the light's USB port does not exceed 1A continuous.
- Some household USB-powered electronics will not operate with this USB port. Check the manual of the corresponding electronic device to confirm that it can be used with this type of USB port.
- The internal battery may be completely discharged. Charge the unit following the directions given in this manual.

The 12V DC/USB charging adapter's USB port will not operate / LED indicator on the 12V DC/USB charging adapter does not come on

- Check the connection to the 12 volt DC power source. Make sure there is good contact.
- Confirm there is functioning DC current.
- Check the plug fuse in the 12V DC/USB charging adapter. Replace the fuse following the instructions in this manual, if necessary.
- Make sure the rating of equipment plugged into the charging adapter's USB port does not exceed 2.1A continuous.
- Some household USB-powered electronics will not operate with this USB port. Check the manual of the corresponding electronic device to confirm that it can be used with this type of USB port.

If the unit does not charge or operate after taking the steps given above, contact the manufacturer at (877) 571-2391.

ACCESSORIES

Recommended accessories for use with this unit may be available from the manufacturer. If you need assistance regarding accessories, please contact manufacturer at 1-877-571-2391.

WARNING: The use of any accessory not recommended for use with this appliance could be hazardous.

SERVICE INFORMATION

Whether you need technical advice, repair, or genuine factory replacement parts, contact the manufacturer at 877-571-2391.

ONE-YEAR LIMITED WARRANTY

The manufacturer warrants this product against defects in materials and workmanship for a period of ONE (1) YEAR from the date of retail purchase by the original end-user purchaser ("Warranty Period").

If there is a defect and a valid claim is received within the Warranty Period, the defective product can be replaced or repaired in the following ways: (1) Return the product to the manufacturer for repair or replacement at manufacturer's option. Proof of purchase may be required by manufacturer. (2) Return the product to the retailer where product was purchased for an exchange (provided that the store is a participating retailer). Returns to retailer should be made within the time period of the retailer's return policy for exchanges only (usually 30 to 90 days after the sale). Proof of purchase may be required. Please check with the retailer for their specific return policy regarding returns that are beyond the time set for exchanges.

This warranty does not apply to accessories, bulbs, fuses and batteries; defects resulting from normal wear and tear, accidents, damages sustained during shipping, alterations, unauthorized use or repair, neglect, misuse, abuse, and failure to follow instructions for care and maintenance for the product.

This warranty gives you, the original retail purchaser, specific legal rights and you may have other rights which vary from state to state or province to province. This product is not intended for commercial use.

Please complete the Product Registration Card and return within 30 days from purchase of the product to: Baccus Global LLC, One City Centre, 1 North Federal Highway, Suite 200, Boca Raton, FL 33432. **Baccus Global LLC, toll-free number: (877) 571-2391.**

SPECIFICATIONS

Light (Conforms to UL STD.73)

Bulb:	24 ultra bright LEDs
Battery:	Lithium-Ion, 3.6 V DC
Input:	5V DC, 2.1A max.
USB Output:	5V DC, 1A
12 Volt DC/USB Charging Adapter (Optional Accessory)	
(Conforms to UL STD. 2089)	
Input:	12V DC, 1.1A
Output:	5V DC, 2.1A
Fuse:	2A

To purchase optional accessories, contact the manufacturer at (877) 571-2391.

Imported by Baccus Global LLC,
One City Centre, 1 North Federal Highway, Suite 200, Boca Raton, FL 33432
www.baccusglobal.com 1-877-571-2391
RD081417

SAVE THIS INSTRUCTION MANUAL FOR FUTURE REFERENCE.

Copyright © 2017
Baccus Global LLC, Boca Raton, FL 33432
(877) 571-2391



This device complies with part 15 of the FCC rules. Operation is subject to the following two conditions: (1) this device may not cause harmful interference, and (2) this device must accept any interference received, including interference that may cause undesired operation.

This equipment has been tested and found to comply with the limits for a Class B digital device, pursuant to part 15 of the FCC Rules. These limits are designed to provide reasonable protection against harmful interference in a residential installation. This equipment generates, uses and can radiate radio frequency energy and, if not installed and used in accordance with the instructions, may cause harmful interference to radio communications. However, there is no guarantee that interference will not occur in a particular installation. If equipment does cause harmful interference to radio or television reception, which can be determined by turning the equipment off and on, the user is encouraged to try to correct the interference by one or more of the following measures:

- Reorient or relocate the receiving antenna.
- Increase the separation between equipment and receiver.
- Connect the equipment into an outlet on a circuit different from that to which the receiver is connected.
- Consult the dealer or an experienced radio/TV technician for help.

Changes or modifications not approved by the party responsible for compliance could void user's authority to operate the equipment.

SAFETY GUIDELINES / DEFINITIONS

DANGER: Indicates an imminently hazardous situation which, if not avoided, will result in death or serious injury.

WARNING: Indicates a potentially hazardous situation which, if not avoided, could result in death or serious injury.

CAUTION: Indicates a potentially hazardous situation which, if not avoided, may result in minor or moderate injury.

CAUTION: Used without the safety alert symbol indicates potentially hazardous situation which, if not avoided, may result in property damage.

RISK OF UNSAFE OPERATION. When using tools or equipment, basic safety precautions should always be followed to reduce the risk of personal injury. Improper operation, maintenance or modification of tools or equipment could result in serious injury and property damage. There are certain applications for which tools and equipment are designed. Manufacturer strongly recommends that this product NOT be modified and/or used for any application other than for which it was designed. Read and understand all warnings and operating instructions before using any tool or equipment.

RISK OF UNSAFE OPERATION. When using tools or equipment, basic safety precautions should always be followed to reduce the risk of personal injury. Improper operation, maintenance or modification of tools or equipment could result in serious injury and property damage. There are certain applications for which tools and equipment are designed. Manufacturer strongly recommends that this product NOT be modified and/or used for any application other than for which it was designed. Read and understand all warnings and operating instructions before using any tool or equipment.

IMPORTANT SAFETY INSTRUCTIONS

READ ALL INSTRUCTIONS

WARNING: Read all instructions before operating light. Failure to follow all instructions listed below may result in electric shock, fire and/or serious injury.

GENERAL SAFETY WARNINGS AND INSTRUCTIONS

WARNING: This product or its power cord contains lead, a chemical known to the State of California to cause cancer and birth defect or other reproductive harm. Wash hands after handling.

INSTRUCTIONS PERTAINING TO RISK OF FIRE, ELECTRIC SHOCK, OR INJURY TO PERSONS

WARNING - WHEN USING ELECTRICAL APPLIANCES, BASIC PRECAUTIONS SHOULD ALWAYS BE FOLLOWED, INCLUDING THE FOLLOWING:

- The light, the supplied charging cable and the optional 12 volt DC/USB charging adapter are not toys and cannot be played with as toys. To reduce the risk of injury, close supervision is necessary when these units are used near children.
- Use only attachments recommended or sold by the manufacturer.

WARNING: TO REDUCE THE RISK OF ELECTRIC SHOCK:

- Do not put the light in water or other liquid. Do not place or store this light where it can fall or be pulled into water or become wet.
- Charge indoors only.
- Do not expose the supplied charging cable, the 12 volt DC/USB charging adapter or battery to moisture, water or any other liquid.
- Use only the charging cable and the 12 volt DC/USB charging adapter supplied by the manufacturer to recharge.

WARNING: FIRE HAZARD: Keep light lamp away from materials that may burn.

CAUTION: TO REDUCE THE RISK OF INJURY OR PROPERTY DAMAGE:

- The LED gets hot quickly. Do not touch the hot lens, guard or enclosure.
- Never place the light face down on any surface when lit, charging or not in use. Never store the light face down on any surface.
- Never look directly into the light or shine the light into another person's eyes.
- Keep sharp objects away from lens — it can crack or break.
- Do not expose this unit to extremely high temperatures.
- Do not drop or throw light. It contains a lithium-ion battery.
- Plug in the charging cable at the light first, then plug into the charging source.
- Do not overcharge: Recharge until the charge status LED indicator lights blue.
- After charging/recharging, disconnect charging cable and wait 5 minutes before use.
- Do not crush, cut, pull or expose the charging cable to extreme heat.
- Position the charging cable so it does not become entangled or become a safety hazard. Keep the charging cable away from sharp edges.
- Do not open the light body casing. There are no user-serviceable parts inside.
- Do not operate the light without the lens in place.
- To reduce risk of damage to the charging cable, pull by the plug rather than the cord when disconnecting.
- Do not attempt to charge the unit if the USB charging cable or the 12 volt DC/USB charging adapter is damaged - contact customer service for replacement.

SPECIFIC SAFETY INSTRUCTIONS FOR LITHIUM-ION BATTERIES

WARNING: TO REDUCE THE RISK OF FIRE, ELECTRIC SHOCK, BURST HAZARD, OR INJURY TO PERSONS OR PROPERTY:

- Lithium-ion batteries are small, compact and ideal for providing long-lasting power to this unit. However, they must be used and charged properly. Improper use can result in serious injury, fire, or death.
- Lithium-ion batteries can explode in the presence of a source of ignition. Do not use the product in the presence of an open flame.
- Do not place this lithium-ion battery powered unit in fire or apply heat to it.
- Do not subject this lithium-ion battery powered unit to strong impacts or shocks. The battery in this unit contains safety and protection devices which, if damaged, may cause the battery to generate heat, rupture or ignite.
- Do not expose the lithium-ion battery to water or salt water, or allow the battery to get wet.
- Avoid storing this lithium-ion battery powered unit in the basement, bathroom or other areas of the house that are or may become wet or where humidity and moisture may concentrate.
- Do not leave this lithium-ion battery powered unit in direct sunlight, or use or store the unit inside cars in hot weather. Doing so may cause the battery to generate heat, rupture, or ignite. Using the battery in this manner may also result in a loss of performance and a shortened life expectancy.
- Never charge this unit near heat or flammable objects.
- **NEVER THROW WATER ON A BURNING LITHIUM BATTERY! If a lithium-ion battery does catch on fire, it will burn even more violently if it comes in contact with water or even moisture in the air. A fire extinguisher must be used.**

Battery Charging and Capacity

This unit is delivered in a partially charged state - you must fully charge it before using it for the first time.

When stored at room temperature with a full charge, Li-ion batteries will begin to discharge from the time they are manufactured, even when unused. Deep discharges also decrease their capacity. Battery life can be extended by the following:

- Charge battery to full capacity before storage.
- Optimal storage temperature for this unit is between 5°C and 20°C (41°F and 68°F).
- Never discharge the battery fully.
- Charge after each use.
- Always charge at least once every 3-6 months if not in frequent use to prevent overdischarge.

Transportation of Lithium-Ion Batteries

- Always check all applicable local, national, and international regulations before transporting a unit containing a Lithium-ion battery.
- Transporting an end-of-life, damaged, or recalled battery may, in certain cases, be specifically limited or prohibited.

INSTRUCTIONS PERTAINING TO THE 12V DC/USB CHARGING ADAPTER

CAUTION - TO REDUCE THE RISK OF PRODUCT DAMAGE:

- **NEVER CONNECT THE UNIT TO A POSITIVE GROUNDED VEHICLE.**
- The 12 Volt DC charging adapter must only be connected to batteries with a nominal output voltage of 12 volts. The unit will not operate from a 6 volt battery and will sustain permanent damage if connected to a 24 volt battery.
- Always connect the 12 volt DC/USB charging adapter to the 12 volt DC power source before plugging any devices into it.

INSTRUCTIONS PERTAINING TO THE USB PORTS

- **IMPORTANT:** Some household USB-powered electronics will not operate with the USB ports provided with this device. Check the manual of the corresponding electronic device to confirm that it can be used with this type of USB port.
- **The USB ports do not support data communication.** They only provide power to an external USB powered device (5V DC/1A using the light's USB port or 5V DC/2.1A using the USB port on the DC/USB charging adapter). Make sure the rating of equipment plugged into the each USB port does not exceed the amperage stated.
- Do not attach USB hubs allowing connection of multiple personal electronic devices to the USB port on the light or on the DC/USB charging adapter.

STANLEY

BRIGHT BAR™ LED DE LITIO-ION MANUAL DE INSTRUCCIÓN



BB24PS

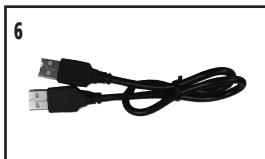
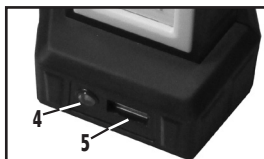
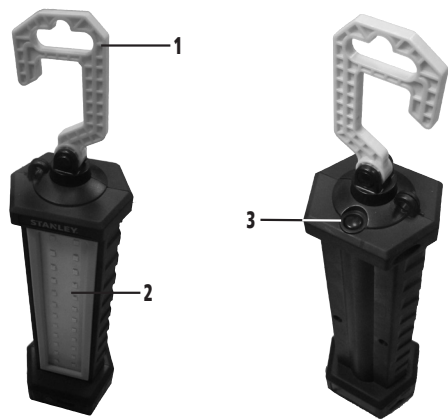
- Los puertos USB no son compatibles con la comunicación de datos. Que sólo proporcionan energía a un dispositivo externo USB alimentado (5V CC / 1A usando el puerto USB de la luz o 5V CC / 2.1A través del puerto USB en el adaptador de carga de CC / USB). Asegúrese de que la calificación de los equipos conectados a cada puerto USB uno no exceda el amperaje indicado.
- No conecte concentradores USB que permite la conexión de varios dispositivos electrónicos personales a cualquiera de estos puertos USB en la luz o el adaptador de carga de CC / USB.

CONSERVE ESTAS INSTRUCCIONES

INTRODUCCIÓN

Felicidades por adquirir su **Stanley® Bright Bar™ LED de litio-ion** nueva. Lea el manual de instrucción y siga las instrucciones cuidadosamente antes de utilizar su luz nueva.

CARACTERÍSTICAS



1. Gancho colgante
2. 24 LEDs ultra brillantes
3. Botón de encendido/de modo de luz
4. Indicador LED del estado de la batería/carga / botón de encendido USB translúcido
5. Puerto USB (para uso con el cable de carga USB y adaptador de carga de 12 voltios CC / USB)
6. Cable de carga USB
7. Adaptador de carga de 12 voltios CC / USB (accesorio opcional)
8. Indicador LED del adaptador de carga de 12 voltios CC / USB
9. Puerto USB del adaptador de carga de 12 voltios CC / USB (accesorio opcional)
10. Base magnética

CÓMO LEER EL INDICADOR LED DEL ESTADO DE LA BATERÍA/CARGA

El indicador LED del estado de la batería/carga se encuentra en el interior del botón de encendido USB translúcido. Se enciende o parpadea en dos colores para indicar el siguiente:

Cuando la unidad está cargando:

Azul: La batería está en un estado completamente cargado.
Azul (parpadeando): La batería está en un estado parcialmente cargado.

Rojo (parpadeando): La batería necesita ser recargada.

Rojo (parpadeando rápidamente): La batería de la unidad se calienta excesivamente (debido a un uso prolongado o de recarga). La operación se detendrá en esta etapa y continúa automáticamente después de un periodo de enfriamiento.

Al utilizar el puerto USB de carga / potencia (una vez el botón de encendido USB translúcido se ha pulsado):

Azul: La batería está funcionando en el voltaje completo.

Rojo: La batería está funcionando en el voltaje parcial.

Rojo (parpadeando rápidamente):

• La batería está funcionando en la tensión muy baja. La protección incorporada de la baja tensión ha activado y la unidad cerrará automáticamente. La unidad se debe recargar inmediatamente. **O**

• La batería de la unidad se calienta excesivamente debido a un uso prolongado o está demasiado frío (la temperatura ambiente ha bajado por debajo de -20 ° C). Operación se detendrá en esta etapa.

CARGA Y RECARGA LA LUZ

Esta unidad se envía en un estado parcialmente cargado. Cargue esta unidad después de compra y ANTES del primer uso hasta que el indicador LED de estado de carga enciende en azul.

Recargue después de cada uso hasta que las luces de la batería/indicador del estado LED de la carga se pongan azul.

IMPORTANTE: Cuando la unidad no esté en uso, recomendamos cargar la batería al menos cada 3 a 6 meses.

PRECAUCIÓN - PARA REDUCIR EL RIESGO DE DAÑOS A LA PROPIEDAD:

- Nunca coloque la luz hacia abajo en cualquier superficie cuando se carga.
- Asegúrese de que la luz se apaga durante la recarga, ya que operando la luz puede ralentizar el proceso de recarga.
- Si no se mantiene la batería cargada puede causar daños permanentes y resultar en un pobre rendimiento.

Carga / recarga con el cable de carga USB y un dispositivo con un puerto de alimentación USB (no suministrado)

1. Asegúrese de que el botón de encendido/de modo de luz y el botón de alimentación USB translúcido están apagados * (la luz no está encendida y el botón de indicador de energía / potencia USB translúcido no está encendido).
* El botón translúcido no opera la luz. El opera solamente el puerto de alimentación USB.
2. Inserte el cable de carga USB en el puerto de carga / encendido USB de la luz.
3. Inserte el otro extremo del cable de carga USB en el puerto de alimentación USB funcional de un dispositivo. El indicador LED del estado de la batería/carga se ilumina o parpadea en una de dos colores (como se describe en la sección "cómo leer el indicador LED del estado de la batería/carga") para indicar el estado de carga.
4. Cargue hasta que el indicador LED del estado de la batería/carga se ilumina en azul.
5. Cuando la carga esté completa, desconecte el cable de carga USB del puerto de alimentación USB del dispositivo y la luz. Guarde el cable en un lugar seguro.

Carga / recarga con el adaptador de carga de 12 voltios CC / USB

1. Asegúrese de que el botón de encendido/de modo de luz y el botón de alimentación USB translúcido están apagados * (la luz no está encendida y el botón de indicador de energía / potencia USB translúcido no está encendido).
* El botón translúcido no opera la luz. El opera solamente el Puerto USB de carga / potencia.
2. Inserte el cable de carga USB en el puerto de carga / encendido USB de la luz.
3. Inserte el otro extremo del cable de carga en el 12 voltios CC / USB adaptador de carga USB.
4. Inserte el adaptador de carga de 12 voltios CC / USB en el tomacorriente CC de 12 voltios para accesorios de un vehículo u otro de 12 voltios fuente de alimentación de CC de funcionar. El indicador LED del adaptador de carga de 12 voltios CC / USB se iluminará en verde cuando está conectado correctamente a la fuente de alimentación de CC de 12 voltios. El indicador LED de estado de la batería / de carga se ilumina o parpadea en una de dos colores (como se describe en la sección "cómo leer el indicador LED del estado de la batería/carga") para indicar el estado de carga.

Nota: Algunos vehículos requieren que el encendido esté en la posición de accesorios con el fin de alimentar la tomacorriente para accesorios.

5. Cargue hasta que el indicador LED del estado de la batería/carga se ilumina en azul.
6. Cuando la carga esté completa, desconecte primero el adaptador de carga de 12 voltios CC / USB desde la fuente de alimentación de 12 voltios CC, a continuación, desconecte el cable de carga USB desde el adaptador y la luz. Guarde el adaptador y el cable en un lugar seguro.

FUNCIONAMIENTO DE LA LUZ

El botón de encendido/de modo de luz enciende y apaga la luz y también se utiliza para seleccionar el modo de luz.

PRECAUCIÓN: NO FUNCIONE AL CARGAR.

Notas: No se encenderá el indicador LED de estado de carga durante el funcionamiento de la luz.
Para verificar la estado de la batería, asegúrese de que la luz está apagada, a continuación, pulse el botón de encendido USB translúcido. El indicador LED del estado de la batería/carga se ilumina o parpadea en una de dos colores (como se describe en la sección "cómo leer el indicador LED del estado de la batería/carga") para indicar el estado de la batería interna.

Desconecte el cable de carga o el adaptador, a continuación, seleccione el modo de luz de la siguiente manera:

- High (alta):** Para encender la luz y usar la luz en alta (brillante) ajuste, pulse el botón de encendido/de modo de luz una vez.
- Low (baja):** Para encender la luz y usar en baja (más tenue) ajuste, pulse el botón de encendido/de modo de luz una segunda vez.
- Off (apagado):** Para apagar la luz, pulse el botón de encendido/de modo de luz una tercera vez.
- Flash (destellar):** Para utilizar todas los LEDs parpadeantes, presione y mantenga presionado el botón de encendido/de modo de luz en cualquier momento durante unos 5 segundos.
- Para apagar la luz en modo parpadeante,** presione el botón de modo de poder / la luz una vez.

IMPORTANTE - Para proteger la batería interna de la unidad contra daños y ahorrar energía:

- Si se pulsa el botón de encendido USB translúcido para encender el puerto USB cuando la unidad está funcionando en alta ajuste, la unidad cambiará automáticamente a baja ajuste.
- Si la tensión de la batería de la luz es casi baja, la unidad cambiará automáticamente a baja ajuste, incluso se ha seleccionado alta ajuste.
- Si el voltaje de la batería de la luz es bajo, la protección de bajo voltaje incorporado se activará después de un corto periodo de funcionamiento, la unidad se apagará automáticamente. Cargue la batería antes de su uso continuado.

Usando el gancho colgante y la base magnética

El gancho colgante y la base magnética permiten que usted coloque la luz para la operación conveniente, sin manos. El gancho colgante permite girar 360° y se inclina hacia atrás y hacia adelante para iluminar directamente según sea necesario.

PRECAUCIÓN - PARA REDUCIR EL RIESGO DE DAÑO A LA PROPIEDAD:

- Cuando la luz es colgada por el gancho colgante o atada usando la base magnética, no sacuda la luz o no se oponga que está colgando de o atado a. No cuelgue la luz de ni ate la luz a ninguna alambres eléctrica o cualquier cosa que no es seguro.
- Utilice solamente el gancho colgante para colgar la luz. El gancho colgante no se piensa para apoyar el peso adicional. No ate o colgar cualquier cosa adicional a la luz o al riesgo de fractura puede ocurrir.
- No intente "forzar" el gancho colgante más allá de su ángulo máximo. El gancho colgante fue diseñado para inclinarse hacia delante y hacia atrás solamente.

OPERACIÓN DEL PUERTO USB DE LA LUZ

Le puerto USB de la luz proporciona 5 volts/1A de alimentación de CC a un dispositivo USB con alimentación externa.

1. Desconecte el cable de carga USB y asegúrese de que la luz está apagada.

2. Presione el botón de encendido USB translúcido al poder el puerto USB de carga / potencia. El Indicador LED del estado de la batería/carga se ilumina o parpadea en una de dos colores (como se describe en la sección "cómo leer el Indicador LED del estado de la batería/carga") para indicar el estado de la batería interna.
3. Sólo tienes que conectar el dispositivo USB al puerto USB de carga / potencia de la luz y funcionar normalmente.
4. Pulse el botón de encendido USB translúcido de nuevo para apagar el puerto de carga / alimentación USB. Asegúrese de que el botón de encendido USB translúcido está en la posición de apagado (no está encendido) cuando la unidad se está recargando o almacenada.

IMPORTANTE: Si el puerto USB está en uso, la unidad sólo funcionará en baja o destellar ajuste.

OPERACIÓN USB DEL ADAPTADOR DE CARGA DE 12V CC/USB

Enchufe el adaptador de carga de 12 voltios CC/USB en el tomacorriente CC de 12 voltios para accesorios de un vehículo u otro de 12 voltios fuente de alimentación de CC de funcionar. El indicador LED del adaptador de carga de 12V CC/USB se iluminará en verde para indicar que está correctamente conectado. Entonces sólo tiene que conectar el dispositivo USB a la toma USB y funciona con normalidad.

Nota: Algunos vehículos requieren que el encendido esté en la posición de accesorios con el fin de alimentar la tomacorriente para accesorios.

CUIDADO Y MANTENIMIENTO

Con el tiempo, todas las baterías pierden energía debido a la descarga automática y con mayor rapidez en ambientes con temperaturas elevadas. Cuando la unidad no esté en uso, recomendamos cargar la batería al menos cada 3 a 6 meses.

No sumerja este reflector en agua. Si la unidad se ensucia, limpie las superficies exteriores con cuidado. Utilice una tela suave humedecida con una mezcla diluida de agua y detergente.

A excepción del fusible en el adaptador de carga de 12 voltios CC / USB, no hay ningún usuario-sustituibles piezas. Periódicamente inspeccione la condición de adaptadores, conectores y alambres. Contacto fabricante para sustituir los componentes que han pasado a ser gastado o rotos.

Reemplazo/desecho de la batería

REEMPLAZO DE LA BATERÍA

La batería debe durar la vida útil de la unidad. La vida de servicio depende en un número de factores, incluyendo pero no limitado al número de ciclos de recarga, y el cuidado y mantenimiento adecuado de la batería por el usuario. Comuníquese con el fabricante para cualquier información que pueda necesitar.

ELIMINACIÓN DE LA BATERÍA

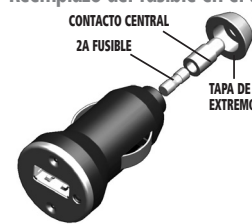
Contiene una batería de iones de litio, que debe ser eliminado adecuadamente. Se requiere reciclaje. El no cumplir con las regulaciones locales, estatales y federales puede resultar en multas o prisión.

Por favor, recicle.

ADVERTENCIAS:

- No desheche la batería en el fuego ya que puede ocasionar una explosión.
- Antes de desechar la batería, proteja las terminales descubiertas con cinta eléctrica para trabajos pesados. De esta manera previene cortos circuitos (los cortos circuitos pueden ocasionar lesiones e incendios).
- No exponga la batería al fuego o al calor extremo ya que puede explotar.

Reemplazo del fusible en el adaptador de carga de 12 voltios CC / USB



1. Destornille la tapa trasera (la izquierda) y quite.
2. Retire el resorte el contacto central y el fusible.
3. Inspeccione el fusible con un control de continuidad.
4. En caso de estar quemado, busque un fusible de reemplazo de 2 amperios.
5. Coloque el fusible, el contacto central y la tapa trasera.
6. Atornille la tapa trasera en sentido de las manecillas del reloj hasta que esté apretado. NO LO APRIETE DEMASIADO.
7. Asegúrese que el adaptador de carga de 12 voltios CC / USB esté funcionando de forma correcta.

DETECCIÓN DE PROBLEMAS

La luz no se cargará

- Compruebe que la luz y el puerto USB estén apagados.
- Compruebe la conexión a la luz y a la fuente de alimentación. Asegúrese de que haya un buen contacto. Asegúrese de que la fuente de alimentación está funcionando correctamente.
- Compruebe que el cable de carga USB esté conectado correctamente al adaptador de carga de 12V CC / USB y la luz.
- Revise la conexión a la fuente de alimentación de CC. Asegúrese de que haya un buen contacto. Confirme que la corriente CC está funcionando.
- Compruebe el fusible del enchufe del adaptador de carga de 12V CC / USB. Sustituir el fusible siguiendo las instrucciones de este manual, si es necesario.
- La unidad puede haberse apagado para proteger la batería del sobrecalentamiento después de un largo periodo de funcionamiento o carga. Desenchufe el cable de carga USB o el adaptador de carga de 12V CC / USB desde la fuente de alimentación y desde la luz. Permitir que la luz se enfríe durante un periodo antes de reanudar carga.

La luz no funciona

- Asegúrese de que el botón de encendido/de modo de luz se ha pulsado para encender la luz.
- Asegúrese de que el botón de alimentación USB translúcido están apagados.
- La batería interna puede estar completamente descargada. Cargue la unidad siguiendo las instrucciones dadas en este manual.
- La unidad puede haber apagado para proteger la batería contra el recalentamiento después de un largo periodo de funcionamiento o de carga; o la temperatura ambiente ha caído por debajo de -20 ° C. Deje que la luz se enfríe o se caliente durante un periodo antes de reanudar la operación.

El puerto USB de la luz no funcionará

- Asegúrese de que el botón de encendido/de modo de luz se ha pulsado para activar el puerto USB.
- Asegúrese de que se presione el botón de alimentación USB translúcido para activar el puerto USB.
- Asegúrese de que la calificación de los equipos conectados al puerto USB de la luz no supere 1A continuo.
- Algunos productos electrónicos de uso doméstico alimentados por USB no funcionan con este puerto USB. Compruebe el manual del dispositivo electrónico correspondiente para confirmar que puede ser utilizado con este tipo de cargador.
- La batería interna puede estar completamente descargada. Cargue la unidad siguiendo las instrucciones dadas en este manual.

El puerto USB del adaptador de carga de 12V CC/USB no funcionará/El indicador LED del adaptador de carga de 12V CC/USB no se enciende

- Revise la conexión a la fuente de alimentación de CC. Asegúrese de que haya un buen contacto.
- Confirme que la corriente CC está funcionando.
- Compruebe el fusible del enchufe del adaptador de carga de 12V CC/USB. Sustituir el fusible siguiendo las instrucciones de este manual, si es necesario.
- Asegúrese de que la calificación de los equipos conectados al puerto USB del adaptador de carga de 12 voltios CC/USB no supere 2.1A continuo.
- Algunos productos electrónicos de uso doméstico alimentados por USB no funcionan con este puerto USB. Compruebe el manual del dispositivo electrónico correspondiente para confirmar que puede ser utilizado con este tipo de cargador.

Si la unidad no funciona después de haber tomado los pasos indicados anteriormente, póngase en contacto con el fabricante en el (877) 571-2391.

ACCESORIOS

Accesorios recomendados para uso con esta unidad puede ser disponibles a través del fabricante. Si necesita ayuda con respecto a los accesorios, por favor póngase en contacto con el fabricante al (877) 571-2391.

PRECAUCIÓN: El uso de cualquier accesorio no recomendado para el uso con esta unidad podría ser peligroso.

INFORMACIÓN DE SERVICIO

Si usted necesita asesoramiento técnico, reparación, o partes genuinas del fabricante, póngase en contacto con el fabricante al (877) 571-2391.

UN AÑO DE GARANTÍA LIMITADA

El fabricante garantiza este producto contra defectos de materiales y mano de obra durante un periodo de UN (1) AÑO a partir de la fecha de compra del producto por el comprador usuario final ("Periodo de Garantía"). Si hay un defecto y una reclamación válida se recibe dentro del periodo de garantía, el producto defectuoso puede ser reemplazado o reparado en el las siguientes maneras: (1) Devuelva el producto al fabricante para reparación o reemplazo, a opción del fabricante. La prueba de compra puede ser requerida por el fabricante. (2) Devuelva el producto a la tienda donde el producto fue comprado para un intercambio (siempre y cuando se trate de un minorista participante). Devoluciones al minorista deben hacerse dentro del plazo de póliza de devoluciones del minorista para intercambios solamente (por lo general 30 a 90 días después de la fecha de compra). La prueba de compra puede ser requerida por el minorista. Por favor consulte la póliza de devoluciones del minorista sobre devoluciones que están fuera del plazo establecido para intercambios.

Esta garantía no se aplica a los accesorios, bombillos, fusibles y baterías; defectos o consecuencias de desgaste normal; accidentes; daños y perjuicios sufridos durante el envío y manejo, alteraciones, reparaciones o uso no autorizado, negligencia, abuso, y si no se siguen instrucciones para el cuidado y mantenimiento del producto.

Esta garantía le otorga al comprador usuario final, derechos legales específicos y usted puede tener otros derechos que varían de estado a estado o de provincia a provincia. Este producto no está diseñado para uso comercial.

Por favor completar la tarjeta de registro del producto dentro de un plazo de 30 días a partir de la fecha de compra y remitir a: Baccus Global LLC, One City Centre, 1 North Federal Highway, Suite 200, Boca Raton, FL 33432. **Baccus Global LLC, número de teléfono gratuito: (877) 571 2391.**

ESPECIFICACIONES

Luz (conforme a UL STD. 73)

Bombilla: 24 LEDs ultra brillantes
Batería: Litio-Ion, 3.6 V CC
Entrada: 5V CC, 2.1A (máx.)
Salida USB: 5V CC, 1A

Adaptador de carga de 12V CC / USB (conforme a UL STD. 2089) (accesorio opcional)

Entrada: 12V CC, 1.1A
Salida: 5V CC, 2.1A
Fusible: 2A

Para adquirir accesorios opcionales, comuníquese con el fabricante al (877) 571-2391.

Importados por Baccus Global LLC,
One City Centre, 1 North Federal Highway, Suite 200, Boca Raton, FL 33432
www.BaccusGlobal.com 1-877-571-2391
RD081417

CONSERVE ESTE MANUAL PARA FUTURAS CONSULTAS.

Derechos Reservados © 2017
Baccus Global LLC, Boca Raton, FL 33432
(877) 571-2391



Intertek

Este dispositivo cumple con la parte 15 de las normas de la Comisión Federal de Comunicaciones de Estados Unidos (FCC). La operación está sujeta a las dos condiciones siguientes: (1) este dispositivo no puede causar interferencia perjudicial y (2) este mecanismo debe aceptar cualquier interferencia recibida, incluida la in-terferencia que puede provocar una operación no deseada.

Este equipo ha sido probado y se encontró que cumple con los límites para dispositivo digital Clase B, según la parte 15 de las normas de la FCC. Estos límites están diseñados para brindar protección razonable contra interferencia perjudicial en una instalación residencial. Este equipo genera, usa y puede irradiar energía en frecuencia de radio y, si no se instala y se usa de acuerdo con las instrucciones, puede provocar interferencia perjudicial en las comunicaciones de radio. Sin embargo, no hay garantía de que la interferencia no ocurra en una instalación en particular. Si el equipo provoca interferencia perjudicial en la recepción de radio o televisión, lo que se puede determinar al apagar y encender el equipo, el usuario debe tratar de corregir la interferencia mediante una o más de las siguientes medidas:

- Cambiar la orientación o la ubicación de la antena de recepción.
- Aumentar la separación entre el equipo y el receptor.
- Conectar el equipo a un tomacorriente sobre un circuito diferente de aquel al que está conectado el receptor.
- Consultar al vendedor o pedir la ayuda de un técnico en radio y televisión con experiencia.

Los cambios o las modificaciones no aprobados por el partido responsable de conformidad podían anular la autoridad del usuario para funcionar el equipo.

NORMAS DE SEGURIDAD / DEFINICIONES

PELIGRO: Indica una situación de peligro inminente que, si no se evita, provocará la muerte o lesiones graves.

ADVERTENCIA: Indica una situación de peligro inminente que, si no se evita, provocará la muerte o lesiones graves.

PRECAUCIÓN: Indica una situación de peligro potencial que, si no se evita, puede provocar lesiones leves o moderadas.

PRECAUCIÓN: Utilizado sin el símbolo de alerta de seguridad indica una situación de peligro potencial que, si no se evita, puede provocar daños a la propiedad.

RIESGO DE OPERACIÓN INSEGURA. Cuando se utilizan herramientas o equipos, siempre se deben respetar las precauciones de seguridad para reducir el riesgo de lesiones personales. La operación, el mantenimiento o la modificación incorrectos de herramientas o equipos pueden provocar lesiones graves y daños a la propiedad. Las herramientas y los equipos están diseñados para usos determinados. Fabricante recomienda encarecidamente que NO se modifique este producto y que NO se utilice para ningún otro uso que aquél para el que fue diseñado. Lea y comprenda todas las instrucciones operativas y las advertencias antes de utilizar cualquier herramienta o equipo.

INSTRUCCIONES IMPORTANTES DE SEGURIDAD

LEA TODAS LAS INSTRUCCIONES

ADVERTENCIA: Lea todas las instrucciones antes de operar la luz. El incumplimiento de todas las instrucciones enumeradas a continuación puede provocar una descarga eléctrica, un incendio o lesiones graves.

ADVERTENCIAS E INSTRUCCIONES DE SEGURIDAD GENERALES

ADVERTENCIA: Este producto o su cable de alimentación contiene plomo, una sustancia química reconocida por el Estado de California como causante de cáncer, defectos de nacimiento u otros problemas reproductivos. Lávese las manos después de utilizarlo.

INSTRUCCIONES RELATIVAS AL RIESGO DE INCENDIOS, DESCARGAS ELÉCTRICAS O LESIONES PERSONALES

ADVERTENCIA - AL UTILIZAR ESTA LUZ HAY CIERTAS PRECAUCIONES QUE DEBERÍAN TOMAR MEDIDAS, INCLUIDAS LAS SIGUIENTES:

- La luz, el cable de carga de carga suministrado y adaptador de carga de 12 voltios CC / USB opcional no son juguetes y no se pueden jugar con como juguetes. Para reducir el riesgo de lesiones, es necesaria una estrecha supervisión cuando estas unidades se utilizan cerca de niños.
- Utilice solamente los accesorios recomendados o vendidos por el fabricante.
- ADVERTENCIA: PARA REDUCIR EL RIESGO DE DESCARGA ELÉCTRICA:**
- No ponga esta linterna en agua u otro líquido. No coloque ni almacene esta linterna donde puede caerse o ser tirado al agua o se mojar.
- Cargue dentro solamente.
- No exponga el cable de carga, adaptador de carga de 12 voltios CC / USB o batería al agua o cualquier otro líquido.
- Use solamente el cable de carga y adaptador de carga de 12 voltios CC / USB provisto por el fabricante a la recarga.
- ADVERTENCIA: Riesgo de incendio:** Guarde la luz lejos de los materiales que pueden quemar.
- ADVERTENCIA: PARA REDUCIR EL RIESGO DE LESIONES O DAÑOS A LA PROPIEDAD:**
- La bombilla de LED consigue caliente rápidamente. No toque la lente, el protector o el recinto caliente.
- Nunca coloque la luz encendida hacia abajo en cualquier superficie, cargando o si no está en uso. Nunca almacene la luz hacia abajo sobre cualquier superficie.
- Nunca mire directamente a la luz ni la apunte directamente a los ojos de otra persona.
- Proteja la lente contra objetos agudos. Puede agrietarse o romperse.
- No exponga esta unidad extremadamente a las temperaturas altas.
- No tire ni deje caer el reflector. Contiene una batería de litio-ion.
- Conecte el cable de carga a la luz primero, luego conectarlo a la fuente de carga.
- No sobrecargue: Recarga hasta que se encienda el indicador LED de estado de carga azul.
- Después de cargar/recargar, desconecte el cable de carga y espere 5 minutos antes usar el reflector.
- No aplaste, corte, hale o exponga el cable de carga al calor extremo.
- Coloque los cables del adaptador de carga de manera que no se enreden o se conviertan en un peligro de seguridad. Mantenga los cables del adaptador de carga alejados de bordes afilados.
- No abra la carcasa del cuerpo de la luz. No contiene piezas serviables por el usuario.
- No funcione el proyector sin la lente en el lugar.
- Para reducir el riesgo de daños al enchufe o al cable eléctrico, tire por el enchufe más bien que por el cable.
- No intente cargar la unidad si el cable de carga USB o adaptador de carga de 12 voltios CC / USB está dañado – póngase en contacto con el servicio de atención al cliente para el reemplazo.

INSTRUCCIONES DE SEGURIDAD ESPECÍFICAS PARA LAS BATERÍAS DEL LITIO-ION

ADVERTENCIA: PARA REDUCIR EL RIESGO DE FUEGO, DE DESCARGA ELÉCTRICA, DE PELIGRO DE LA EXPLOSIÓN, O DE LESIONES O DAÑOS A LA PROPIEDAD:

- Baterías del litio-ion son pequeñas, compactas e ideal para proporcionar energía duradera a esta unidad. Sin embargo, deben ser utilizadas y ser cargadas correctamente. El uso incorrecto puede dar lugar a lesión serio, a fuego, o a muerte.
- Las del litio-ion pueden estar en presencia de una fuente de ignición. No utilice el producto en presencia de una llama abierta.
- No ponga esta unidad con baterías del litio-ion en fuego ni aplique el calor a él.
- No sujete esta unidad con baterías del litio-ion a los impactos o a los choques fuertes. La batería en esta unidad contiene los dispositivos de la seguridad y de protección que, si están dañados, pueden hacer la batería generar calor, romper o encender.
- No exponga esta unidad accionada por la batería del litio-ion para regar o agua salada, o permita que la batería consiga mojada.
- Evite almacenar esta batería de litio-ion dispositivo eléctrico en el sótano, cuarto de baño u otras áreas de la casa que están o pueden quedar mojados o húmedos o donde la humedad puede concentrarse.
- No deje esta unidad accionada por la batería del litio-ion en luz del sol directa, o utilice o almacene la unidad dentro de los coches en tiempo caliente. El hacer tan puede hacer la batería para generar calor, para romper, o para encender. Usando la batería de este modo puede también dar lugar a una pérdida de funcionamiento y de una esperanza de vida acortada.
- Nunca cargue esta unidad cerca de calor o de objetos inflamables.
- **NUNCA LANCE EL AGUA EN UNA BATERÍA ARDIENTE DE LI-ION! Si una batería del litio-ion coge en el fuego, quemará más violentamente si entra en contacto con el agua o aún la humedad en el aire. Un extintor debe ser utilizado.**

Carga y capacidad de la batería

Esta unidad se entrega en un estado parcialmente cargado – usted debe cargarlo completamente antes de usarlo por primera vez. Cuando están almacenadas en la temperatura ambiente con una carga completa, las baterías del Li-ion querrán comienzan a descargarse a partir del tiempo que son manufacturadas, incluso cuando son inusitadas. Las descargas profundas también disminuyen su capacidad. La vida de batería se puede ampliar por el siguiente:

- Cargue la batería a la capacidad plena antes de almacenaje.
- Las temperaturas óptimas para el almacenamiento de esta unidad están entre 5°C y 20°C (41°F y 68°F).
- Nunca descargue la batería completamente.
- Cargue después de cada uso.
- Cargue siempre por lo menos una vez cada 3 a 6 meses si no en uso frecuente de prevenir el overdischarge.

Transporte de las baterías del Litio-Ion

- Compruebe siempre todas las regulaciones locales, nacionales, e internacionales aplicables antes de transportar una unidad que contiene una batería del Litio-Ion.
- El transporte de una fin-de-vida, dañada, o de la batería recordada puede, en ciertos casos, ser específicamente limitado o prohibido.

INSTRUCCIONES RELATIVAS AL ADAPTADOR DE CARGA DE 12 VOLTIOS CC / USB

PRECAUCIÓN - PARA REDUCIR EL RIESGO DE LESIONES O DAÑOS A LA PROPIEDAD: